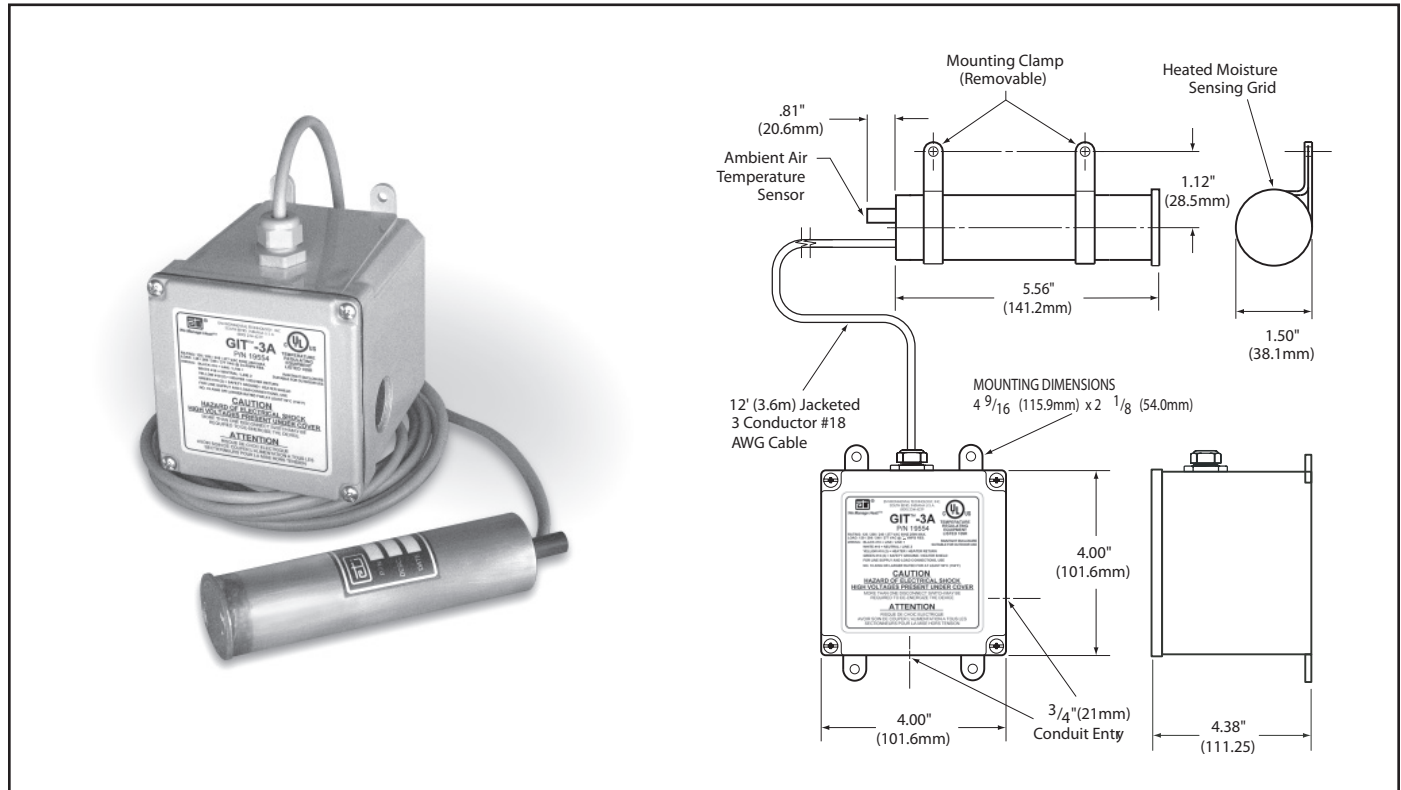


FEATURES & BENEFITS

- Automatic gutter ice melting control
- Energy efficient
- Minimum operating costs
- Maintains ice melting heater efficiency
- Field proven reliability
- UL and CUL listed to Standard 873
- Low cost
- Simple installation



DESCRIPTION

Snow and ice on a roof cause a variety of expensive problems including gutter and down spout breakage and interior water damage. In addition, falling ice can endanger pedestrians. Using heating cables for ice melting can eliminate these problems. However, uncontrolled heating is expensive and not energy efficient.

The computerized patent pending GIT-3A Automatic Gutter Ice Melting Control operates ice melting heaters only while required thus insuring energy efficiency and low operating costs. A GIT-3A consists of a gutter-

mounted sensor and a control enclosure connected by a 12' 6" (3.8 m) cable. If the distance between the sensor and control needs to be changed, please contact Customer Service.

The GIT-3A senses both moisture and temperature conditions in the gutter or down spout thus assuring optimum control. Ice melting heaters operate at temperatures at or below 38° F (3.3° C) while moisture is present. Operation continues a period of time thereafter to insure complete melting. While operating, the heaters are maintained at a nominal temperature of 38° F (3.3° C).

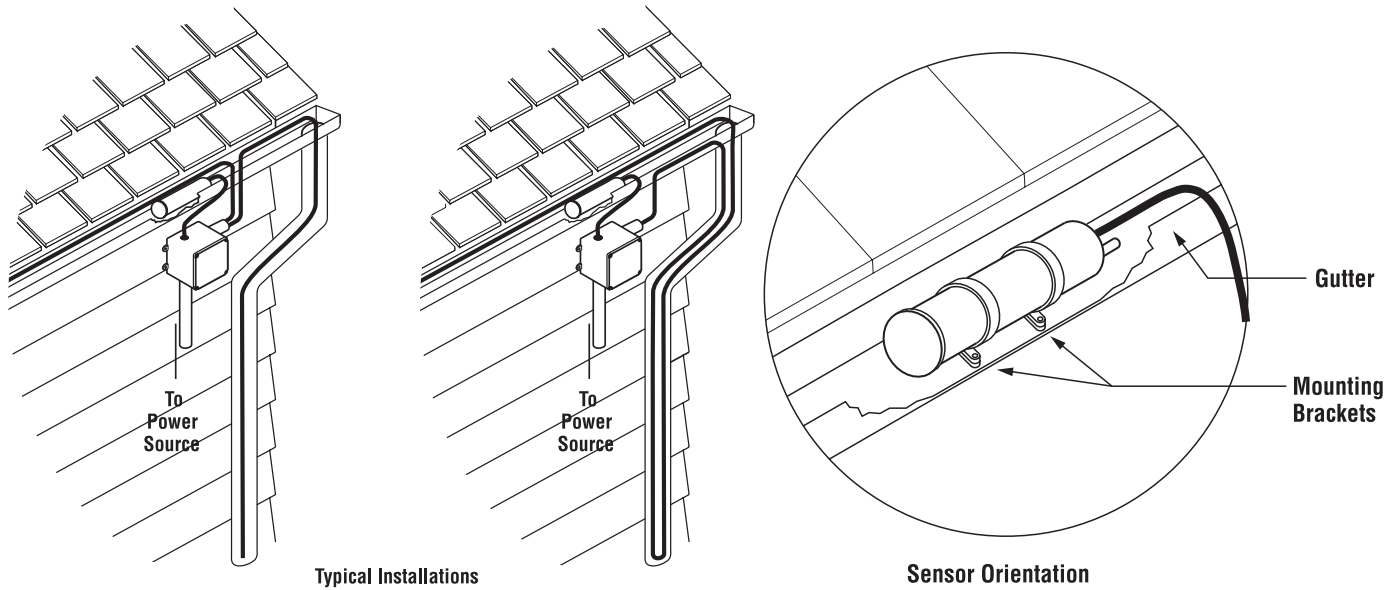
Line voltage and ice melting heater connections are located in the control enclosure. The GIT-3A operates from single-phase 120, 208/240 or 277 volt supply selected by an internal jumper connection that is set during installation. It controls single phase ice melting heater loads of up to 26 amps. The GIT-3A meets the new NEC Class 2 low voltage requirement for wet locations. It is both UL and CUL Listed. Safety testing was done to UL Standard 873.

TYPICAL INSTALLATIONS

Simplified drawings of installations using both constant wattage and self-limiting heating cables follow. These show typical heating cable placement along with GIT-3A's sensor and control enclosure locations. Refer to installation data

provided by the heating cable manufacturer and the GIT-3A's instruction manual for more detailed information.

Installations must meet the requirements of both the local and national electrical codes.



ORDERING INFORMATION

Order Number	Description
19554	GIT-3A Gutter Ice Melting Control

LIMITED WARRANTY

ETI's two year limited warranty covering defects in workmanship and materials applies. Contact Customer Service for complete warranty information.

DISCLAIMER

Environmental Technology, Inc. makes no representations or warranties, either expressed or implied, with respect to the contents of this publication or the products that it describes, and **specifically disclaims any implied warranties of merchantability or fitness for any particular purpose.** Environmental Technology, Inc. reserves the right to revise this publication, and to make changes and improvements to the products described in this publication, without the obligation of Environmental Technology, Inc. to notify any person or organization of such revisions, changes or improvements.