



# 1660-18911

## Ambient Sensing Thermostat

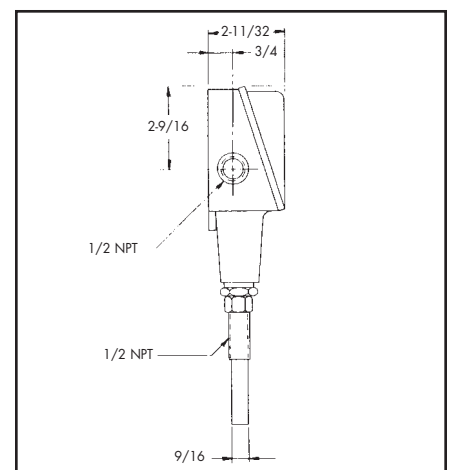
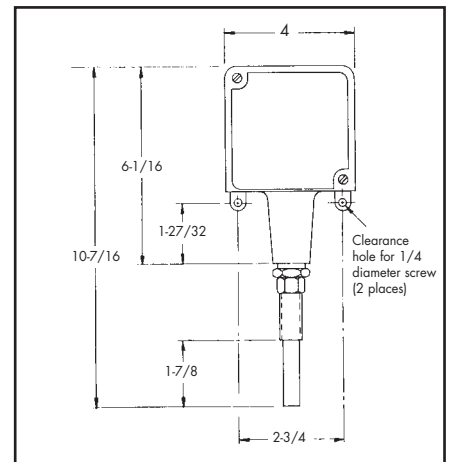


### Description

The 1660-18911 thermostat is a watertight, dust tight and corrosion resistant temperature control in a light weight die cast enclosure with an internal calibrated reference dial and tamper-proof adjustment for outdoor or indoor locations. The liquid-filled thermal system, with its stainless steel sensor stem, provides a very dependable and accurate control system.

### Wiring

For heater control, low alarm (close on falling temperature) use COM and NC. For high alarm (close on rising temperature) use COM and NO.



### Specifications

Enclosure	Die cast aluminum with polyamid epoxy coating, NEMA 4X; watertight, dust tight and corrosion resistant
Connection	Screw terminals on switch through 1/2-NPT hub
Switch	SPDT UL listed with internal calibrated reference dial and tamper-proof adjustment
Rating	22 amps at 480 VAC
Range	15° – 140°F
Sensor	304 SS sensor stem
Approval	UL listed/CSA certified
Accuracy	±1% of adjustment range

Visit Us At: [www.rsc-heattrace.com](http://www.rsc-heattrace.com)

# 1660-18911

## Ambient Sensing Thermostat

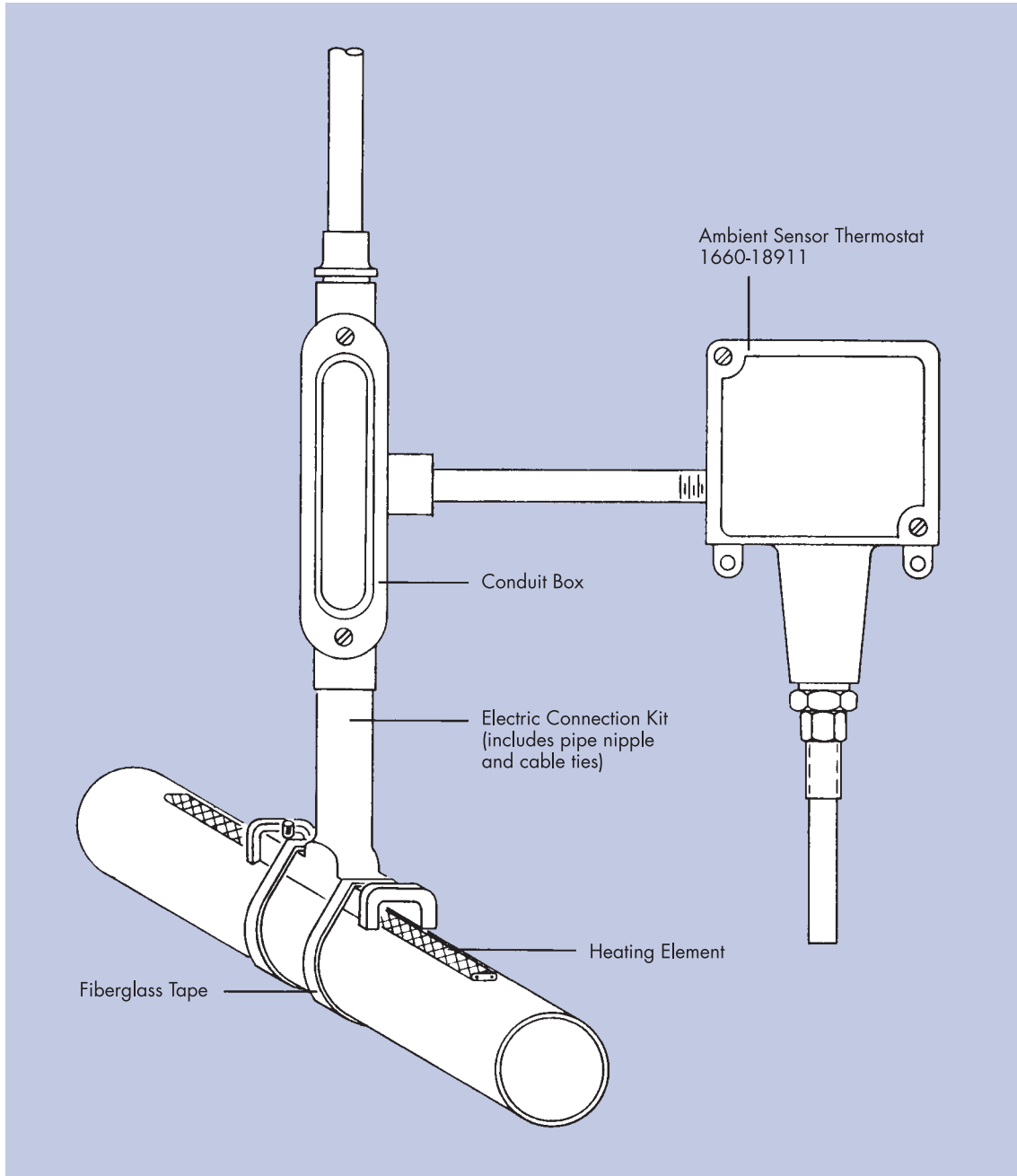
Heat Trace Products, LLC



233 Florence Street  
Leominster, MA 01453

ISO 9001 REGISTERED

Typical installation for a 1660-18911 ambient sensing controller mounted on a pipe.



The material contained in this document is presented in good faith and believed to be reliable and accurate. However, because testing conditions may vary and material quality or information that may be provided in whole or in part by others may be beyond our control, no warranty expressed or implied, is given and Heat Trace Products can assume no liability for results obtained or damages incurred through the application of the data and tests presented.

ISO 9001 REGISTERED

Heat Trace Products, LLC



ISO 9001 REGISTERED

233 Florence Street  
Leominster, MA 01453  
Tel: 978 534-2810  
Fax: 978-534-2819  
www.rsc-heattrace.com