



1660-18912

Ambient Sensing Thermostat



Description

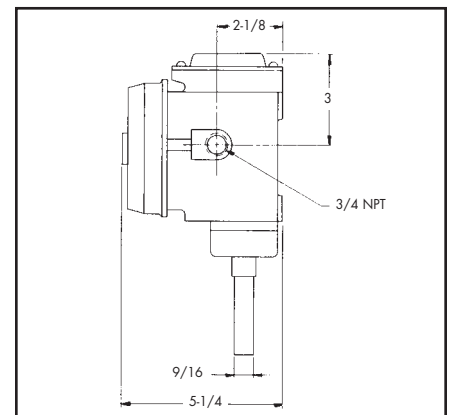
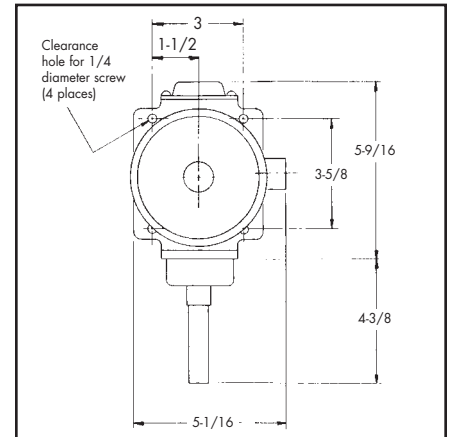
The 1660-18912 thermostat is an explosion-proof and weatherproof temperature control in a lightweight die cast enclosure with a calibrated dial and an external knob adjustment for outdoor or indoor locations. The thermostat is approved for use in Class I, Groups B, C and D; Class II, Groups E, F, and G; and Class III hazardous locations. The liquid-filled thermal system, with its stainless steel sensor stem, provides a very dependable and accurate control system.

Wiring

For heater control, low alarm (close on falling temperature) use COM and NC. For high alarm (close on rising temperature) use COM and NO.

Specifications

Enclosure	Die cast aluminum with gray aluminum lacquer. NEMA 4X, 7, 9; weather-proof, explosion proof. Class I: Groups B, C, D; Class II Groups E, F, G, Class III
Connection	Screw terminals on terminal block through 3/4-NPT hub
Switch	SPDT UL listed with external knob/dial adjustment and tamper-proof cover
Rating	22 amps at 480 VAC
Range	15° – 140°F
Sensor	304 SS sensor stem
Approval	UL listed
Accuracy	±1% of adjustment range



Visit Us At: www.rsc-heattrace.com

1660-18912

Ambient Sensing Thermostat

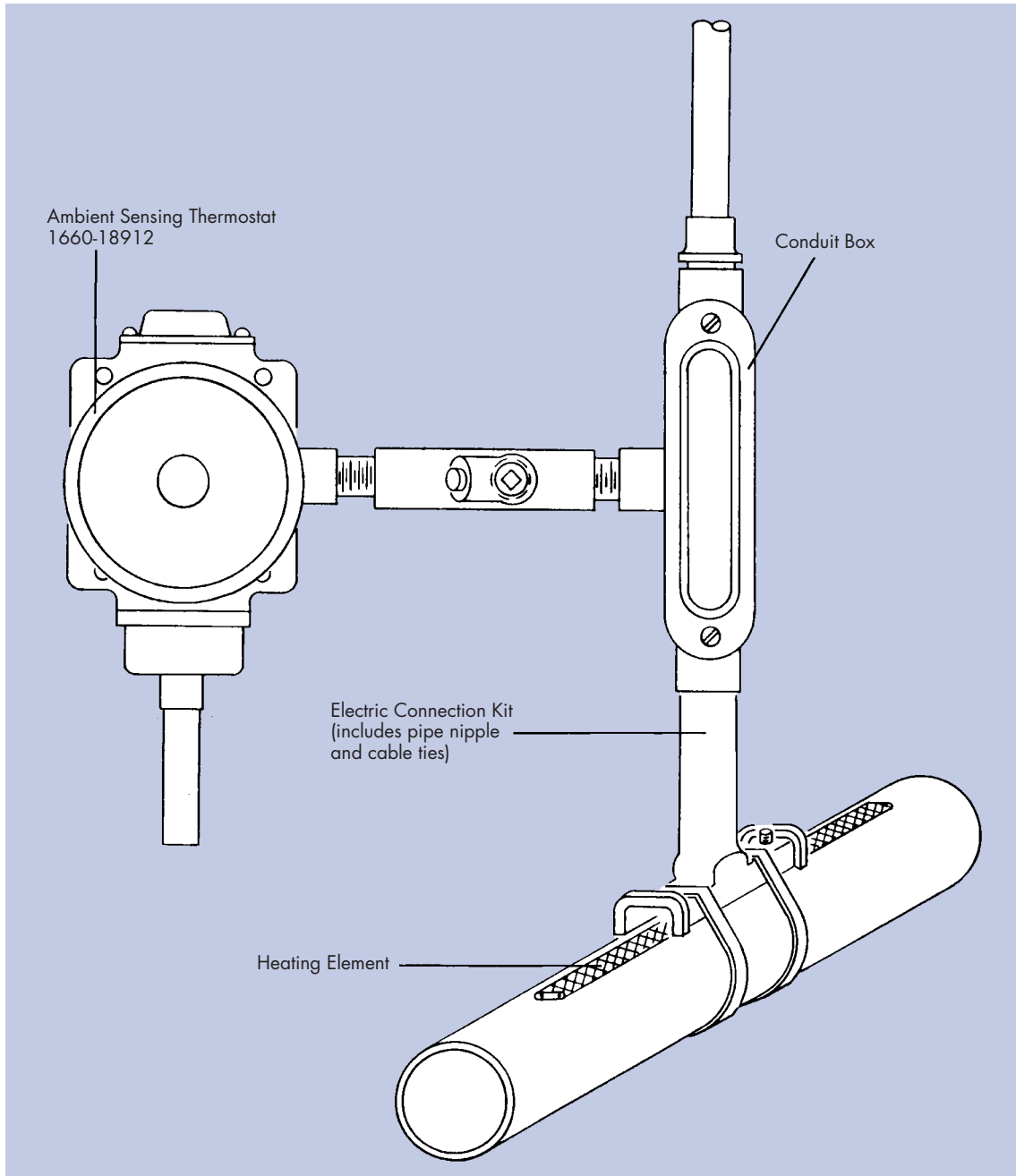
Heat Trace Products, LLC



233 Florence Street
Leominster, MA 01453

ISO 9001 REGISTERED

Typical installation for a 1660-18912 ambient sensing controller mounted on a pipe.



The material contained in this document is presented in good faith and believed to be reliable and accurate. However, because testing conditions may vary and material quality or information that may be provided in whole or in part by others may be beyond our control, no warranty expressed or implied, is given and Heat Trace Products, LLC can assume no liability for results obtained or damages incurred through the application of the data and tests presented.

ISO 9001 REGISTERED

Heat Trace Products, LLC



ISO 9001 REGISTERED

233 Florence Street
Leominster, MA 01453
Tel: 978 534-2810
Fax: 978-534-2819
www.rsc-heattrace.com