

TPR Temperature Switch

Temperature Switch for General Applications

Series TPR

- ✦ High Accuracy
- ✦ Nema 4X & IP 65
- ✦ UL, CSA and CE Approved
- ✦ Compact, Economical Design



Barksdale's **TPR Series** Temperature Switch adds flexibility to Barksdale's solid reputation for quality & reliability, and offers versatility for your temperature sensing needs. This switch is ideal for applications where freeze protection or lower temperature control is critical. The **TPR** is available in either field adjustable, NEMA 1, or factory set and locked NEMA 4X configurations. The tin-plated sensor comes in 3 or 10 foot lengths. The **TPR Series** feature limit switches with 10 amps @ 125/250 VAC and 3 amps @ 480 VAC electrical ratings. Optional 22 amp limit switches allow thermostats to be used for higher current, heat tracing applications. The **TPR Series** is UL listed and CSA approved.

Barksdale Exceeding Your Expectations Through Our People, Products and Performance

CONTROL PRODUCTS

CRANE Barksdale, Inc./Barksdale GmbH
A Subsidiary of Crane Co.

TPR Temperature Switch

When Temperature Matters, Call Barksdale

For many years, Barksdale temperature switches have been switching, measuring and controlling critical processes throughout the world.

Protect Your Equipment with Barksdale

Barksdale temperature switches prevent damage to heavy industrial equipment by monitoring the temperature of engine fluids and protecting against thermal overloads. Hydraulic power units are protected by controlling the temperature of fluids in systems in reservoirs.

In cold climates, Barksdale temperature switches control heating devices that prevent pipes, valves and fittings from freezing preventing expensive loss and downtime. Barksdale thermostats also control the temperature in process piping to maintain the proper flow of media.

Barksdale temperature switches can be used in a variety of applications:

- Hydraulic Power Units
- Combustion Engines
- Tanks and Reservoirs
- Gearboxes
- Pumps
- Compressors
- Machine Tools and Industrial Equipment
- Farm & Construction Machinery
- Process Equipment



Need Something Special?

If you have special product requirements, we can help. Barksdale specializes in custom design solutions to meet your needs. We have design engineers and technical specialists who are experts in solving your unique temperature problems. Our technology and resources are at your disposal.

Need More Information?

We are only a phone call away.
Toll-Free: 1-800-835-1060.

TPR Temperature Switch

Performance Characteristics

Accuracy ±1% of full scale
 Switch Type SPDT, Prewired Snap Action
 Rating 10 amp @ 125/250 VAC
 3 amp @ 480 VAC
 Adjustable Range 15°F to 140°F
 (-9°C ± 60°C)
 For Q10 Models only:
 Factory set range of 40°F
 Close on decreasing temperature

Media Temperature Limits	Adjustable Range	Differential (approximate)	Catalog Number
-40 to 160°F (-40 to 71°C)	15 to 140°F (-9 to 60°C)	10°F (5.6°C)	TPR-H1N-3
-40 to 160°F (-40 to 71°C)	40°F (4.4°C)	10°F (5.6°C)	TPR-L1N-3X-Q10

Bulb and Capillary

Material Copper, tin plated
 Bulb 3.12" (79mm), 0.39" (10mm) dia.
 Capillary Length 30" (762mm)
 System Pressure (max) 300 psi without thermowell
 Fill Silicone oil-filled

Physical

Weight 1.1 pound (0.5 kg)
 Enclosure Polycarbonate, black
 Ratings NEMA 1 standard
 NEMA 4X optional

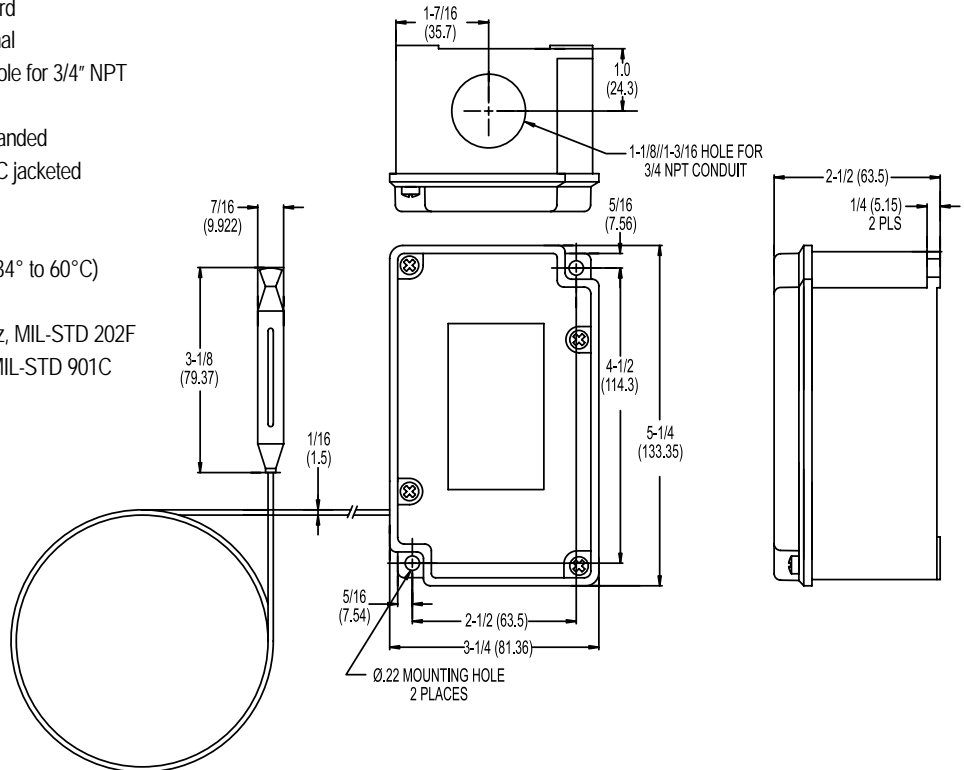
Electrical Connection

1-1/8" (28mm) hole for 3/4" NPT conduit hub
 12", 14 AWG stranded copper wire, PVC jacketed
 UL, CSA

Approvals

Environmental

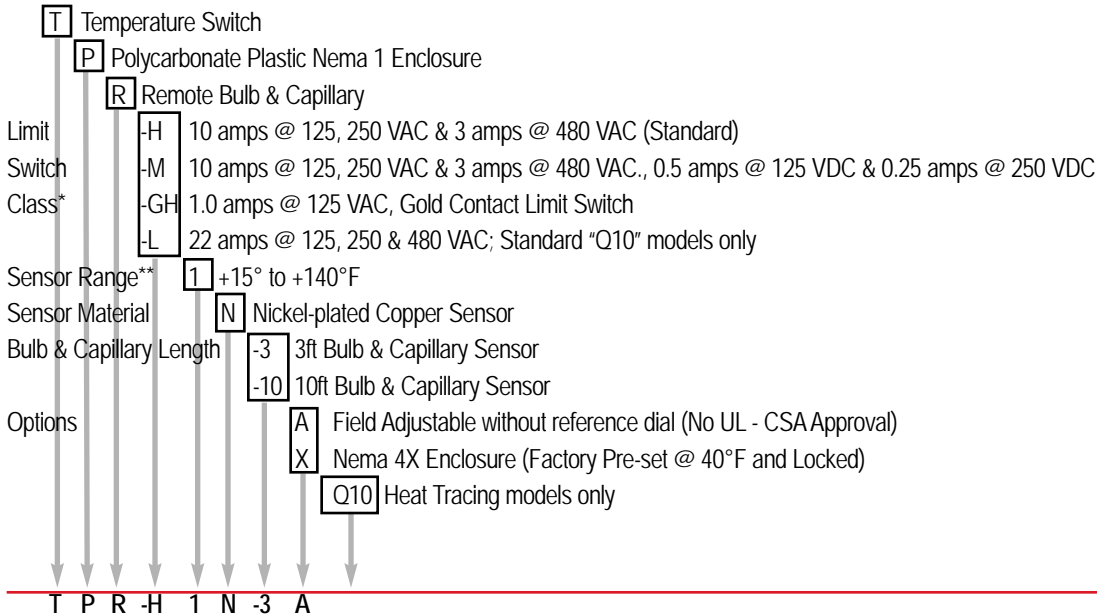
Ambient Temperature -30° to 140°F (-34° to 60°C)
 ENI/RFI to EN 5011
 Vibration 10 g's 10-500 Hz, MIL-STD 202F
 Shock 50 g's, 10 mS, MIL-STD 901C



TPR Temperature Switch

Temperature Switch for General Applications - Configurator

Series TPR



Example: TPR-H1N-3A

Operating Characteristics

Range	Adjustable Range				Media Temperature Limit (Proof)				Differential (Approx.) Liquid	
	°F		°C		°F		°C		°F	°C
1	Low	High	Low	High	Low	High	Low	High	10	5.6
	+15	+140	-0	+60	-40	+160	-40	+71		

NOTE:

* Changing Limit Switch will affect Deadband.

See Sales Drawing.

** See Operating Characteristics.

Barksdale

CONTROL PRODUCTS

3211 Fruitland Avenue • Los Angeles, CA 90058 • ☎ 800-835-1060 • Fax: 323-589-3463 • www.barksdale.com