

# 1660-13A12

## Line Sensing Thermostat

Heat Trace Products, LLC



233 Florence Street  
Leominster, MA 01453

ISO 9001 REGISTERED



### Description

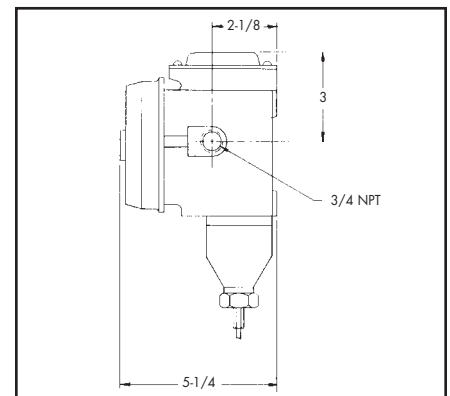
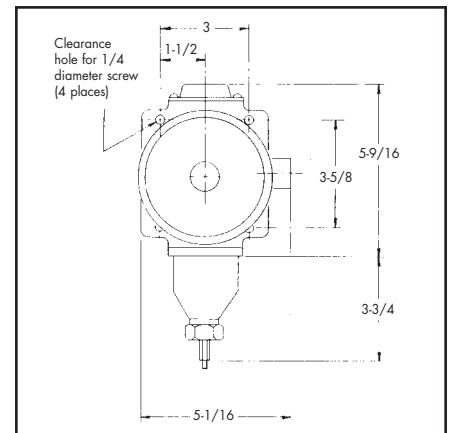
The 1660-13A12 thermostat is an explosion proof and weatherproof temperature control in a lightweight die cast enclosure with a calibrated dial and an external knob adjustment for outdoor or indoor locations. The thermostat is approved for use in Class I, Groups B, C, and D; Class II, Groups E, F, and G; and Class III hazardous locations. The liquid-filled thermal system, with its stainless steel bulb and capillary, provides a very dependable and accurate control system.

### Wiring

For heater control, low alarm (close on falling temperature) use COM and NC. For high alarm (close on rising temperature) use COM and NO.

### Specifications

Enclosure	Die cast aluminum with gray aluminum lacquer. NEMA 4X, 7, 9; weather-proof, explosion proof Class I: Groups B, C, D; Class II: Groups E, F, G; Class III
Connection	Screw terminals on terminal block through 3/4-NPT hub
Switch	SPDT UL listed with external knob/dial adjustment and tamper-proof adjustment
Rating	22 amps at 480 VAC
Range	25° – 325°F
Sensor	10 Ft. 304 SS capillary with 3/8" SS bulb
Approval	UL listed
Accuracy	± 1% of adjustment range



Visit Us At: [www.rsc-heattrace.com](http://www.rsc-heattrace.com)

# 1660-13A12

## Line Sensing Thermostat

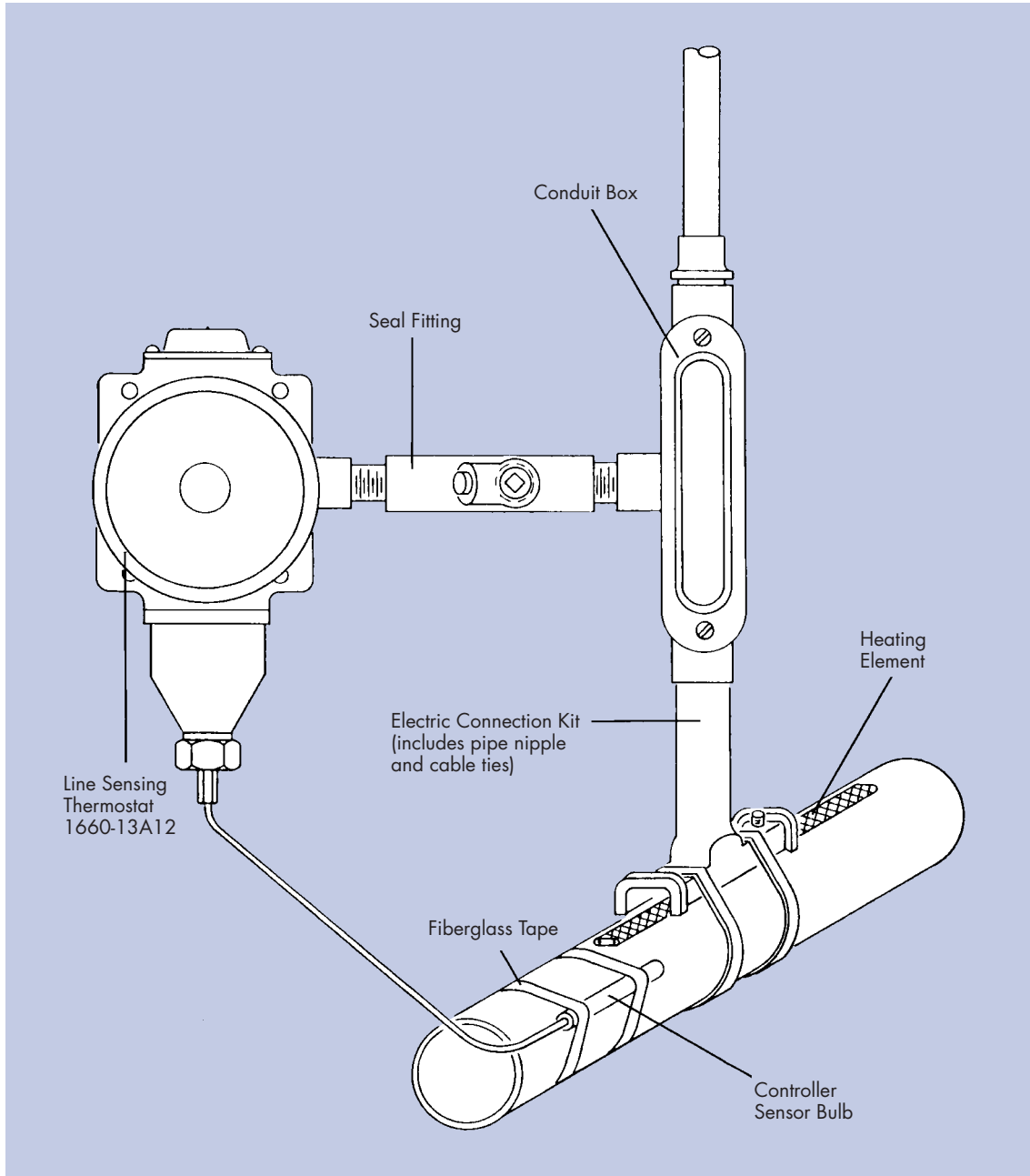
Heat Trace Products, LLC



233 Florence Street  
Leominster, MA 01453

ISO 9001 REGISTERED

Typical installation for a 1660-13A12 line sensing controller mounted on a pipe.



The material contained in this document is presented in good faith and believed to be reliable and accurate. However, because testing conditions may vary and material quality or information that may be provided in whole or in part by others may be beyond our control, no warranty expressed or implied, is given and Heat Trace Products, LLC can assume no liability for results obtained or damages incurred through the application of the data and tests presented.

ISO 9001 REGISTERED

Heat Trace Products, LLC



ISO 9001 REGISTERED

233 Florence Street  
Leominster, MA 01453  
Tel: 978 534-2810  
Fax: 978-534-2819  
www.rsc-heattrace.com